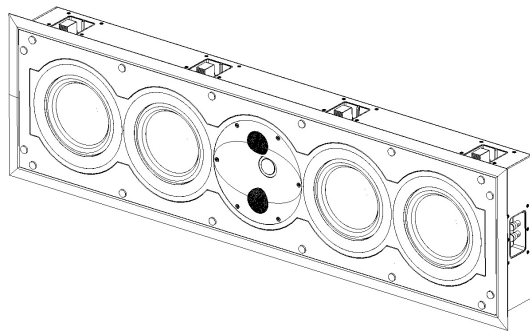
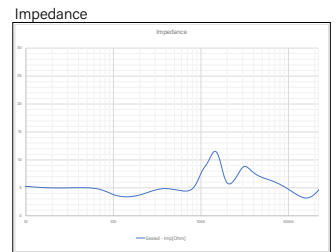
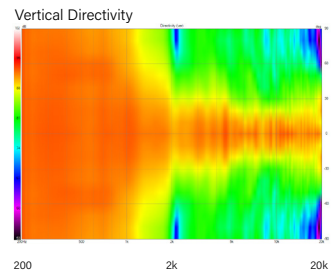
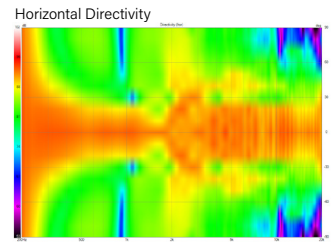
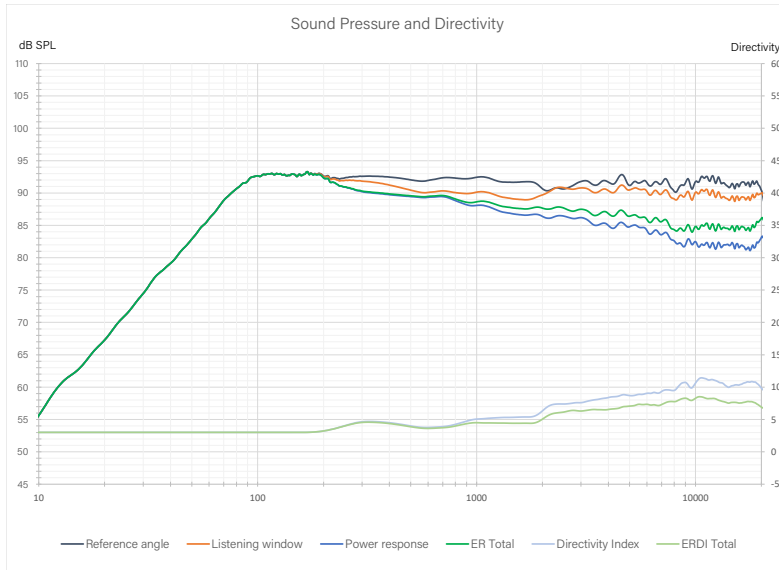


**MODEL S7 C INWALL:** Based largely on our flagship S7t. This is the inwall, center channel implementation. Shallow 4" mounting depth and integral aluminum extrusion rear enclosure insure consistent performance and minimal sound propagation to adjacent rooms. Featuring our proprietary DPC-Array controlling Mid/High frequencies, centered by our finest 28mm Beryllium dome and dual 28mm TPCD ultra-lightweight domes. All transducers are developed ground up by our engineers - bringing decades of research, culminating in this world class design. We teamed up with companies in the USA and Sweden to bring modern material science to hi-fi. Utilizing advanced Comsol acoustical modeling, our DPC-array is the result of 18 months of painstaking simulations and prototyping. The result is one of the most technologically advanced loudspeakers available. This new tweeter/-waveguide DPC-Array delivers amazing accuracy, smoothness, and directivity control to handle the critical vocal range and delicate treble. All S-Series speakers share the same DPC-Array and benefit from our unique timbre matching technique across the entire series. The PerListen S7i is the world's first and only inwall loudspeaker to be certified for THX Dominus - their highest rating. A mark of achievement.



### Technical Specifications:

Enclosure Alignment	4-way acoustic suspension
Driver compliment	DPC Array: 28mm Beryllium 28mm(2) Textreme TPCD Woofers: 180mm(4) Textreme TPCD
Sensitivity	92.0dB / 2.83v / 1.0m
Impedance	4Ω nominal / 3.4Ω min
Response Linearity	80 - 20kHz +/-1.5dB window
Frequency Response (-10dB)	47 - 37kHz
Typical In Room bass extension	39Hz
Dimensions (HxWxD)	298.6 x 1036.6 x 111.2mm 11.8 x 40.8 x 4.4"
Mounting Dimensions (HxWxD)	257 x 996 x 101.7mm 10.1 x 39.2 x 4.0"
Weight	26.4 kg (58.0 lbs.)
Recommended Amplifier Power	100 - 600W RMS
SPL capability @1m (100-20kHz)	119.8dB peak 117.0dB peak <3% 2nd, 3rd Harmonics
Certification	THX Dominus
Available finishes	white

DPC Array - Directivity pattern control  
 \*USA Patent pending



TPCD - Thin Ply Carbon Diaphragms

