

MODEL
R8s SUBWOOFER

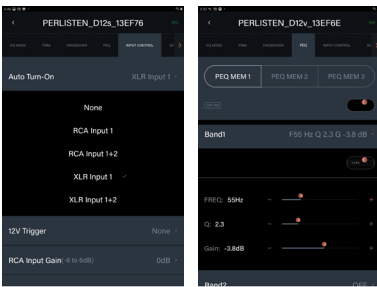


TECHNICAL SPECIFICATIONS

APP Control - iOS and Android



Advanced APP User interface - customizable turn-on controls and input selection, multiple PEQ's with presets.



Alignment	Acoustic suspension
Amplifier	600W rms
Display Interface	2.4" LCD color touchscreen
App	iOS and Android
Processor	32-bit ARM Cortex M4, double precision floating point math
DSP Engine	Ti DSP 48-bit data paths
Driver compliment	215mm, Glass fiber diaphragm +/-28.0mm linear excursion
Reference sensitivity	86dB /150mV/ 1.0m
Frequency Response	THX EQ 20-265Hz (-6dB) / 16-330Hz (-10dB) Boost (Large Room) EQ 16-265Hz (-6dB) / 14-330Hz (-10dB) Cut (Small Room) EQ 25-265Hz (-6dB) / 19-330Hz (-10dB)
Inputs	(1) Balanced XLR (1) Unbalanced RCA
Outputs	(1) Balanced XLR unbuffered (1) Unbalanced RCA unbuffered
Parametric EQ	10-Band PEQ with 3 user presets
Low Pass filter	bypass, 30-160Hz, slope 6,12,18,24dB/oct
Phase	variable 0-270°
Polarity	normal / inverted
Configurable Auto turn-on and 12v Trigger	XLR, RCA
Dimensions overall (HxWxD)	298 x 270 x 290mm 11.7 x 10.6 x 11.4"
Weight	14.4 kg (31.7 lbs.)
Available Finishes	Matte black, Matte white

DESCRIPTION

R-Series subs - Trickle down technology from our flagship D-Series, we've developed a lineup of single driver based subwoofers. Ground up drivers developed by our team of engineers. Glass fiber composite diaphragms, multiple aluminum shorting rings, massive magnets, multi-layer Nomex spiders and lightweight aluminum voice coil wire are the key ingredients - Proprietary nonlinear modeling techniques allow us to simulate all these components and then optimize for real world driver performance - free air and in box. Further refinement is done with the aid of our Klippel laser measurement system to dial things in. Powered by our new 500W amplifier, all functions and safeties are controlled by a 48-bit data bath DSP and 32-bit ARM M4 Cortex processor, able to react in microseconds ensuring sonic accuracy. All R-Series subs share our 2.4" LCD touchscreen display and ability to control advance settings using our App.

4

3

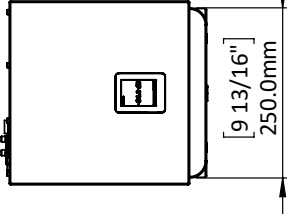
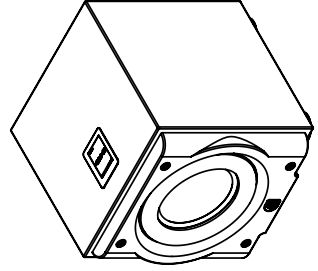
2

1

REVISIONS	
REV.	DESCRIPTION
1	initial drawing
2	revised woofer

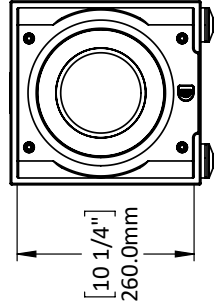
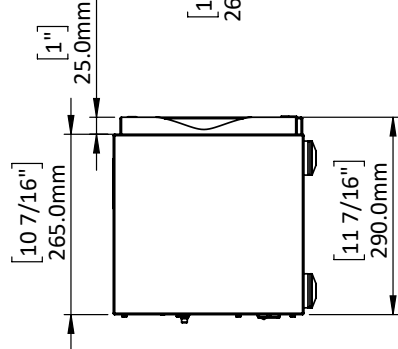
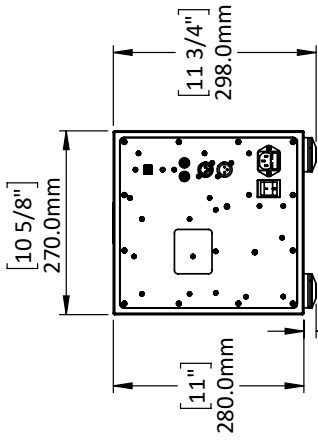
D

D



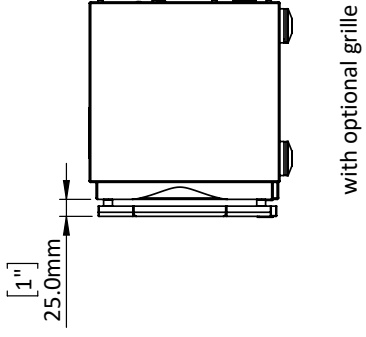
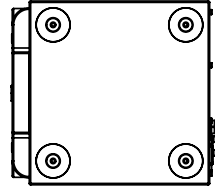
C

C



B

B



with optional grille

Notes:

PROPRIETARY AND CONFIDENTIAL
 THE INFORMATION CONTAINED IN THIS
 DRAWING IS THE SOLE PROPERTY OF
 PERLISTEN AUDIO, LLC. ANY
 REPRODUCTION IN PART OR AS A
 WHOLE WITHOUT THE WRITTEN
 PERMISSION OF PERLISTEN AUDIO, LLC IS
 PROHIBITED.
 DIMENSIONS IN PARENT UNITS ARE
 PREFERRED DRAWINGS



NAME: _____ DATE: 1/8/2025
 TITLE: Sheet1

SIZE DWG. NO. **A** Perlisten R8s_Architectural **2** REV
 SCALE: 1:10 SHEET 1 OF 1

3

2

1