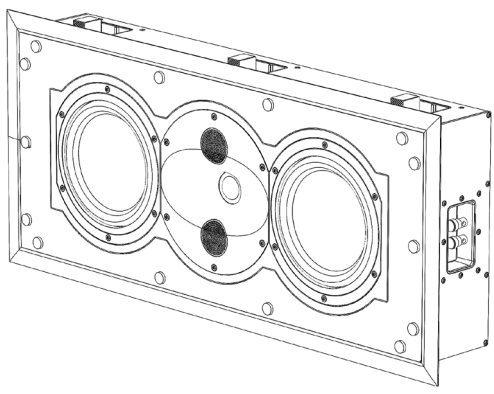
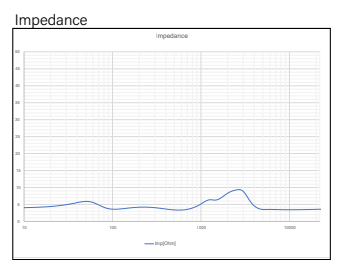
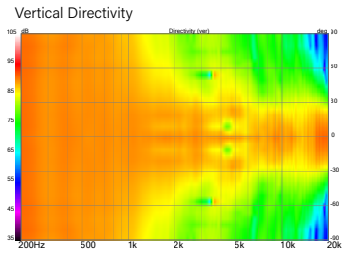
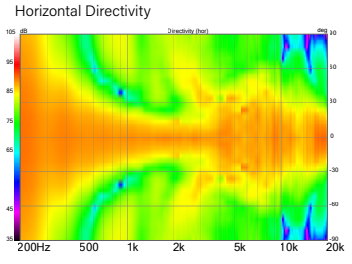
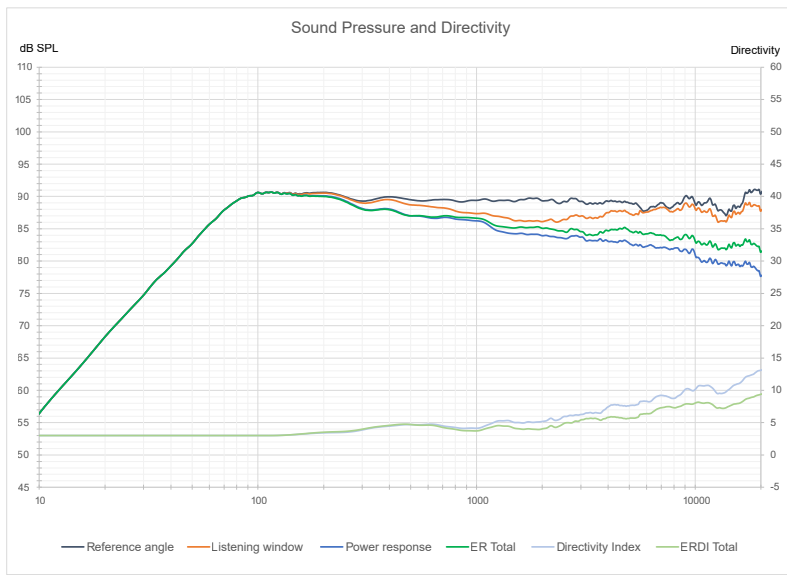


MODEL R5i-C INWALL: Based largely on the R5c. Adapted for inwall applications. Shallow 4" mounting depth and integral aluminum extrusion rear enclosure insure consistent performance and minimal sound propagation to adjacent rooms. Sharing "trickle-down" technology from our flagship S-Series, the DPC-Array here based on three 26mm domes, guarantees excellent directivity control and timbre matching with all R-Series speakers. The Silk diaphragms developed ground up, chosen specifically their smooth, effortless representation of midrange and treble. The 165mm woofers are made from our proprietary HPF pulp, two years in development, bringing new technology to one of the oldest materials used in loudspeaker design. All R-Series speakers share the same DPC-Array and benefit from our unique timbre matching technique across the entire series. Another Perlisten inwall loudspeaker to be certified for THX Dominus - their highest rating.



R5i-C

| Technical Specifications: | |
|--------------------------------|--|
| Enclosure Alignment | 3-way acoustic suspension |
| Driver compliment | DPC-Array: 26mm(3) Silk dome Woofers: 165mm(2) HPF diaphragms |
| Sensitivity | 89.4dB / 2.83v / 1.0m |
| Impedance | 4Ω nominal / 3.3Ω min |
| Response Linearity | 80 - 20kHz +/-1.5dB window |
| Frequency Response (-10dB) | acoustic suspension: 40 - 32kHz |
| Typical In Room bass extension | acoustic suspension: 34Hz |
| Dimensions (HxWxD) | 298 x 665 x 111mm 11.8 x 26.2 x 4.4" |
| Mounting Dimensions (HxWxD) | 257 x 624 x 257 x 101.7mm 10.1 x 24.6 x 4.0" |
| Weight | 15.9 kg (35.0 lbs.) |
| Recommended Amplifier Power | 50 - 250W RMS |
| SPL capability @1m (100-20kHz) | 113.4dB peak 111.0dB peak <3% - 2nd, 3rd Harmonics |
| Certification | THX Dominus, THX Ultra |
| Available finishes | black baffle, white grille |

DPC Array - Directivity pattern control
*USA Patent pending



HPF - Hybrid Pulp Formulation. Diaphragms made from mixed long fiber hardwood, bamboo and wool

